

PROVISIONS BY OTHERS

GENERAL

PLUMB STAIRWAY-DUE TO CLOSE RUNNING CLEARANCES OWNER/AGENT MUST ENSURE THAT THE STAIRS (WHERE PROVIDED) ARE LEVEL, PLUMB (-/+ 1/8" (3 mm)) AND SQUARE AND ARE IN ACCORDANCE WITH THE DIMENSIONS ON THESE DRAWINGS.

MINIMUM OVERHEAD CLEARANCE- OWNER/AGENT MUST ENSURE MINIMUM OVERHEAD CLEARANCE IS IN COMPLIANCE WITH CODES.

CONSTRUCTION SITE-OWNER/AGENT TO PROVIDE ALL MASONRY, CARPENTRY AND DRYWALL WORK AS REQUIRED AND SHALL PATCH AND MAKE GOOD (INCLUDING FINISH PAINTING) ALL AREAS WHERE WALLS/FLOORS MAY REQUIRE TO BE CUT, DRILLED OR ALTERED IN ANY WAY TO PERMIT THE PROPER INSTALLATION OF THE LIFT.

DIMENSIONS- CONTRACTOR/CUSTOMER TO VERIFY ALL DIMENSIONS AND REPORT ANY DISCREPANCIES TO OUR OFFICE IMMEDIATELY.

INSTALLATION-THIS EQUIPMENT MUST BE INSTALLED IN COMPLIANCE WITH ASME A18.1 CODE, OR CSA B355 09 CODE

BY A QUALIFIED TECHNICIAN.

THE CONFORMITY FOR ACCESS TO THE STAIRLIFT IS THE DISTRIBUTOR'S RESPONSIBILITY.

ELECTRICAL

GENERAL- ELECTRICAL EQUIPMENT AND WIRING TO COMPLY WITH SECTION 38 OF CSA C22.1 (CANADA) OR SECTION 620 OF NEC ANSI/NFPA 70 (USA).

POWER SUPPLY- 120VAC, 15A, 60HZ, 1PH CIRCUIT THROUGH A FUSE DISCONNECT

LIGHTING-LIGHTING OF 100 LX MIN. AT PLATFORM AND LANDINGS. LIGHTING WITH SWITCH AND ELECTRICAL GFCI OUTLET
EMERGENCY LIGHTING OF 2 LX FOR A MINIMUM OF ONE HOUR ON THE PLATFORM ALONG THE TRAVEL.

STRUCTURAL

FLOOR/SUPPORT WALL LOADS- STRUCTURAL ENGINEER TO ASSURE THAT BUILDING AND SHAFT WILL SAFELY SUPPORT ALL LOADS IMPOSED BY THE LIFT EQUIPMENT. REFER TO THE LOAD DIAGRAM ON THIS DRAWING.

RAIL TO BE SECURELY FASTENED-

THE RAIL MUST BE SECURELY FASTENED TO THE STRUCTURAL SUPPORT WALL. REFER TO WALL DIAGRAM AND LAG DIMENSIONS WHERE REQUIRED

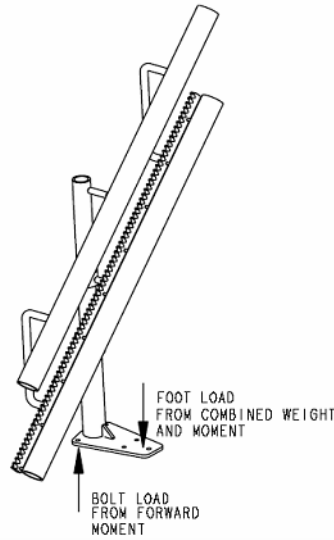
CLEARANCE

PLATFORM FOLDING/UNFOLDING-

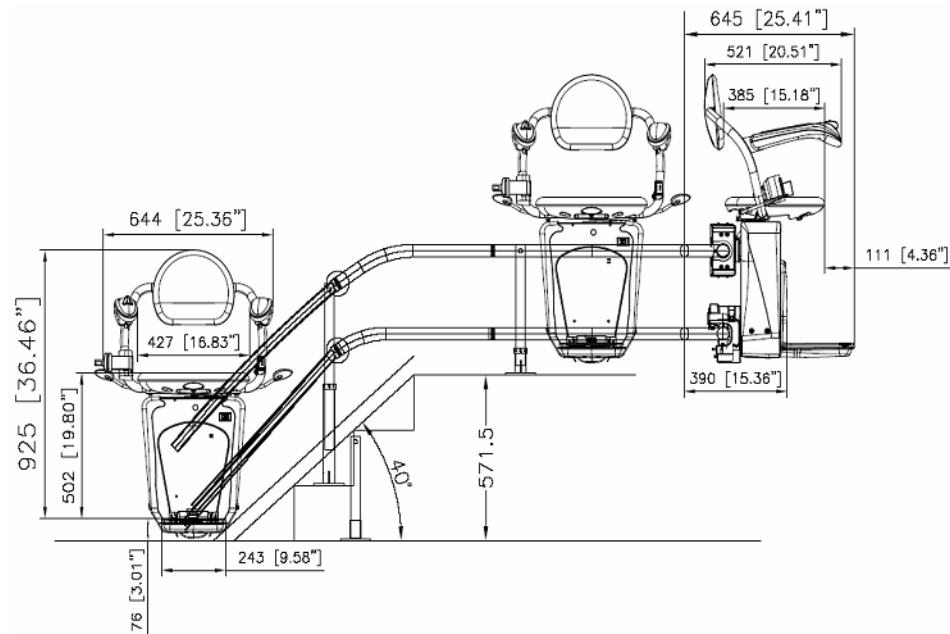
STAIRFRIEND STAIRLIFT REQUIRE 1" CLEARANCE WHEN FOLDING AND UNFOLDING BETWEEN TWO WALLS

SUPPORT LOAD DIAGRAM

SELF SUPPORT POST:



DESIGN FOOT LOADS ARE:
13500N (3030 LBF) VERTICAL FOOT LOAD
5615N (1262LBF) BOLT TENSILE LOAD
AT BACK TWO FASTENER LOCATIONS
DUE TO FORWARD MOMENT
-USE THE SAME FASTENERS IN 5 LOCATIONS



SPECIFICATIONS

GENERAL

CLASSIFICATION:	UNENCLOSED CHAIR LIFT
APPLIED CODE:	B613
MODEL:	STAIRFRIEND
CAPACITY:	350 lbs [160 kg] ONE PERSON IN CHAIRLIFT
SPEED:	25 ft/min [7.2 m/min]
CHAIR SIZE:	16.625"x14.75" [422x375]
POWER SUPPLY:	120V, 15A, 60Hz, SINGLE PHASE

POWER UNIT

MOTOR:	24 V (DC), 0.5 Hp
DRIVE SYSTEM:	RACK AND PINION

PROJECT INFORMATIONS

ACCESS TO STAIRLIFT:	FRONT/ SIDE
SIDE OF INSTALLATION:	LEFT
NUMBER OF RAMPS:	2
ANGLE OF STAIRCASE:	27.5° AND 41.3° AT SPIRAL OD
WIDTH OF STAIRCASE:	890(35")
NOSE TO FLOOR:	3411 (134.3")
RAIL LENGTH:	9097.041 MM (361")
RAIL WEIGHT:	132 KG APPROX.
NUMBER OF RISERS:	18
AVERAGE RISER:	189.5 MM (7.46")
AVERAGE TREAD:	294 (11.5")
LOCATION:	INDOOR
ANCHORING POST:	WOOD
TYPE OF INSTALLATION:	RESIDENTIAL
COLOR:	RAL 1013 (OYSTER WHITE)

OPTIONS PROVIDED

SELF SUPPORT STAIR POST:	YES [14]
INTERMEDIATE STOPS:	0
90 DEGREE BEND:	1
180 DEGREE BEND:	1
NEGATIVE BEND:	0
AUDIO/VISUAL ALARM:	NO
FOLDING SEAT WITH BELT:	MANUAL
OUTDOOR PACKAGE:	NO
INTERNATIONAL PACKAGING:	NO
BATTERY BACK UP:	NO

DATA SHEET

CUSTOMER: CONCORD ELEVATOR (LONDON) LTD.
PROJECT: 690011
ADDRESS: BRAMPTON ONTARIO

DATE: 9-SEP-13
REVISION DATE: 10-SEP-13
COMPLETED BY: P. COLLETT

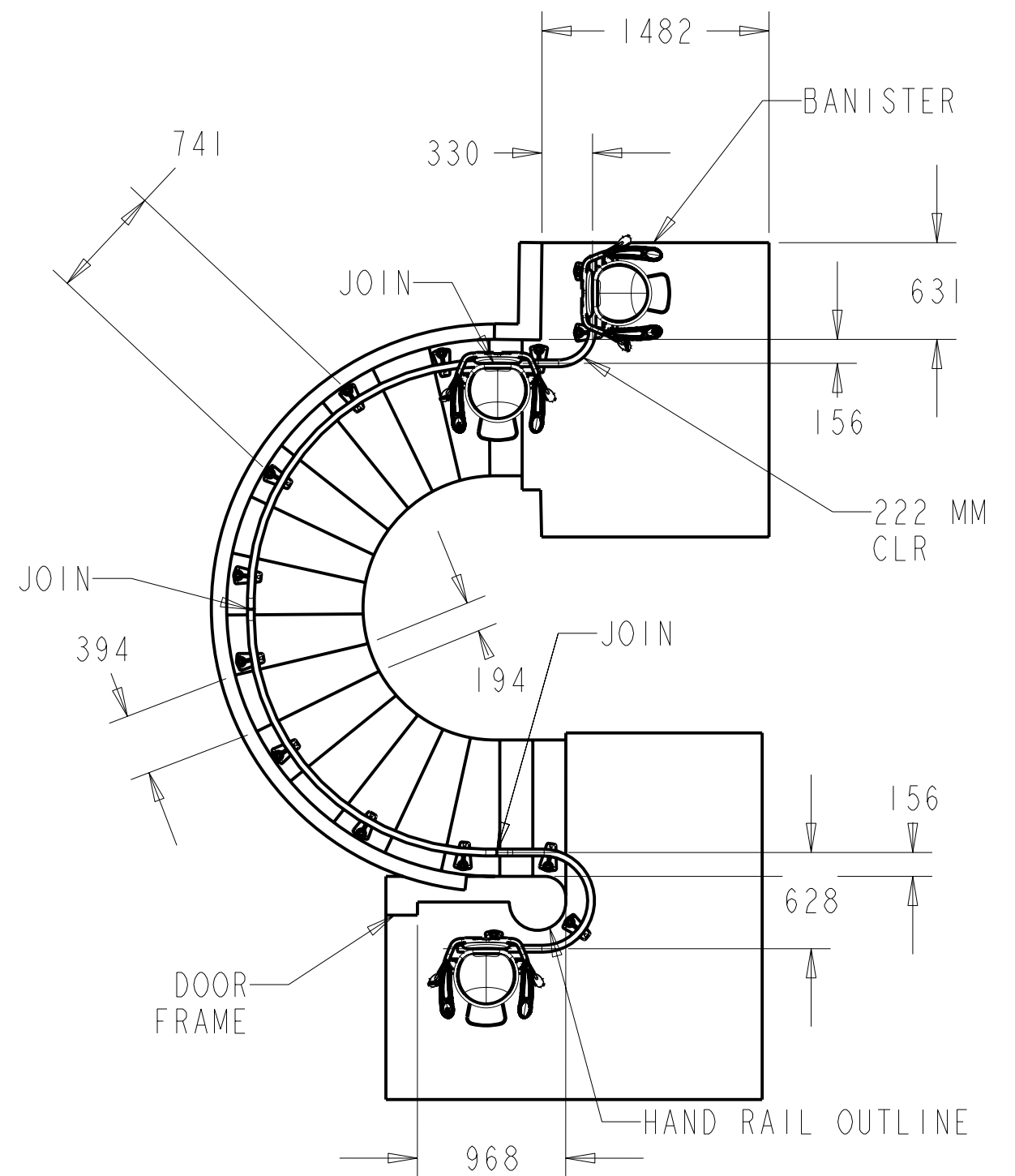
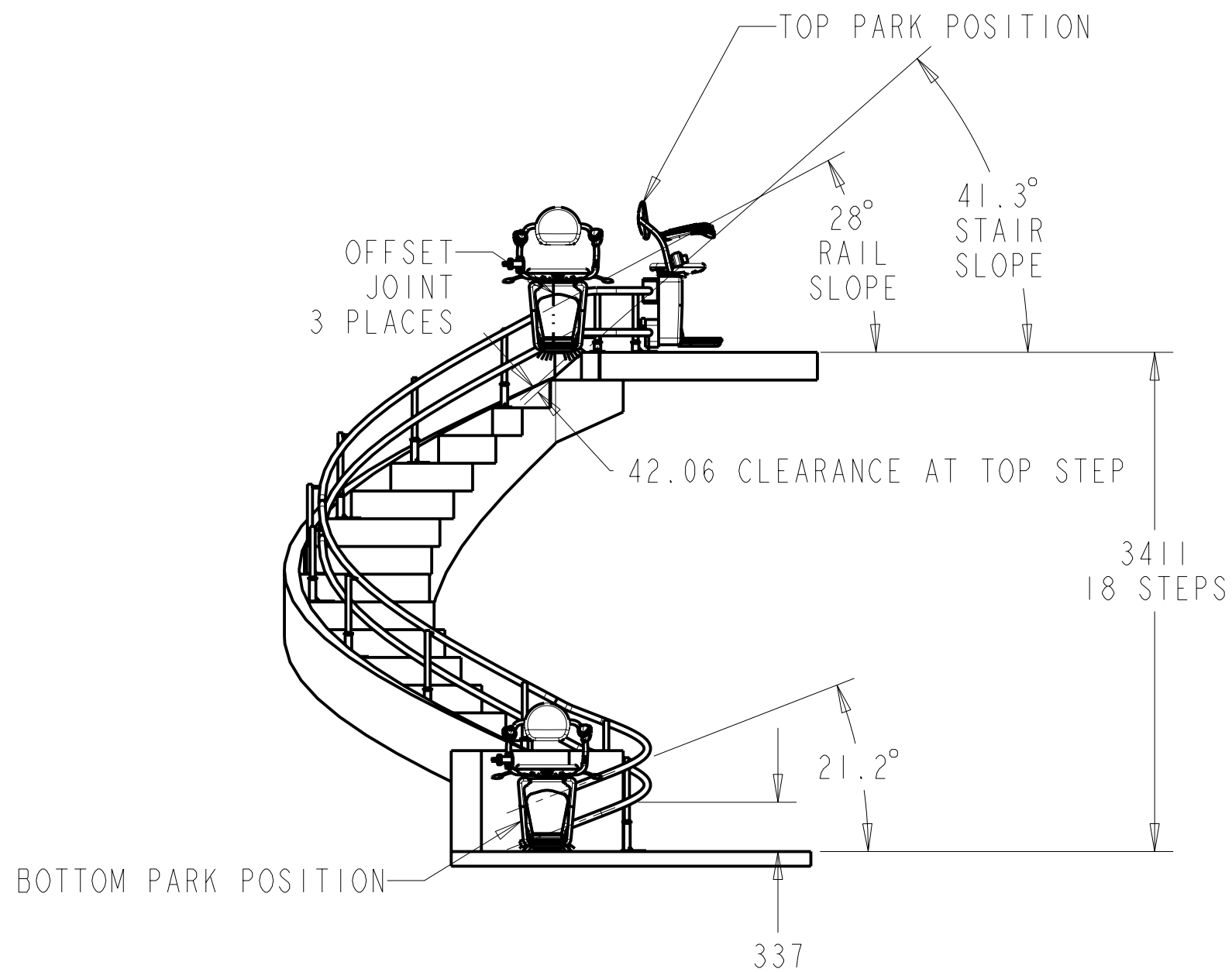
Part No. 690011REV002

Variant No. N/A

savaria

JOB No. 690011

SHEET No. 1 OF 3



PRELIMINARY DRAWING FOR APPROVAL

GENERAL INFORMATION NOTICE
 DIMENSIONS ARE IN MILLIMETERS
 *THIS DRAWING SHOULD ONLY
 BE USED FOR REFERENCE
 PURPOSES

ABBREVIATION
 HT: HEIGHT OH: OVERHEAD
 TVL: TRAVEL
 EOL: END OF LIFT
 EOR: END OF RAIL
 EOW: END OF WALL

GENERAL ARRANGEMENT

CUSTOMER: CONCORD ELEVATOR (LONDON) LTD.
 PROJECT: 690011
 ADDRESS: BRAMPTON ONTARIO

DATE: 9-SEP-13
 REVISION DATE: 10-SEP-13
 COMPLETED BY:
 P. COLLETT

Part No. 690011REV002

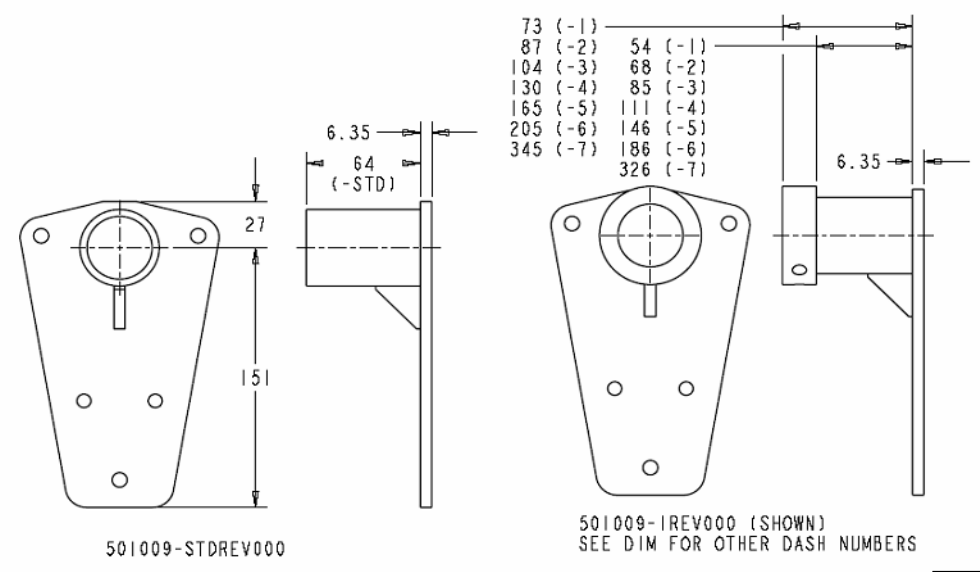
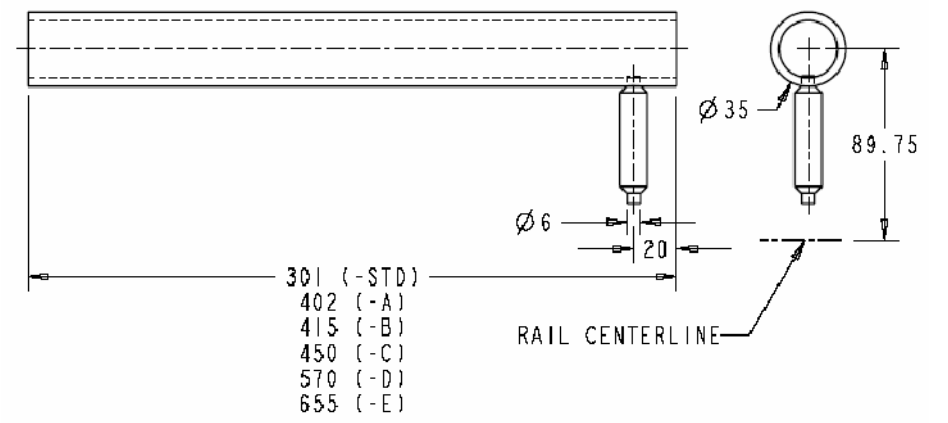
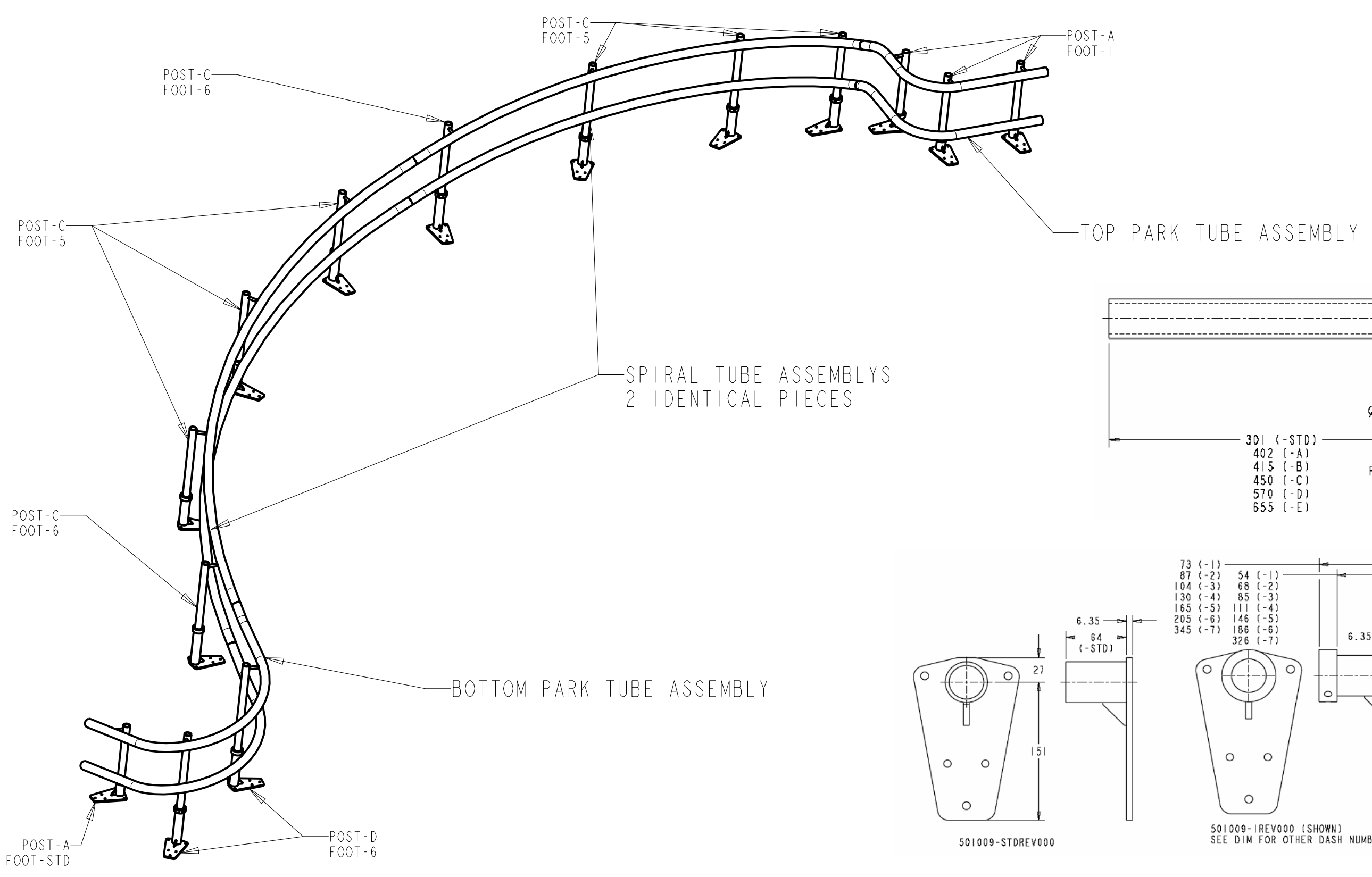
Variant No. N/A

savaria

JOB No. 690011

SHEET No. 2 OF 3





SCALE 0.050

CUSTOMER: CONCORD ELEVATOR (LONDON) LTD.		DATE: 9-SEP-13	Part No. 690011REV002
PROJECT: 690011		REVISION DATE: 10-SEP-13	Variant No. N/A
ADDRESS: BRAMPTON ONTARIO		COMPLETED BY: P. COLLETT	
		JOB No. 690011	